



SILENT
We're The Vibrator Guys.™

Pneumatic Ball Vibrators with Side Air Inlet & Exhaust Models V-190, 250, 320, 380



V-250



V-190

- **AFFORDABLE**
- **LIGHT & STURDY**
- **REMOVABLE RACE FOR EASY MAINTENANCE**
- **OPERATES IN ADVERSE ENVIRONMENTS**

HOW IT WORKS

Compressed air drives a polished steel ball bearing at a high rate of speed around a smooth, hardened race creating high frequency vibration.

VIBCO ball vibrators can be mounted in any position and replace any competitive model. Just remove the worn out competitive model and put on a long-lasting quality engineered **ALL AMERICAN MADE VIBCO** unit.

4 OPTIONS FOR EXHAUST PORT CONNECTIONS

1. A standard muffler to silence noise created by the exhausting air and the ball bearing rolling in the race.
2. An adjustable screw muffler to set the air pressure and speed of the ball to a predetermined value no matter what PSI is coming in the air inlet.
3. An air hose to lead air away from the area where the exhausting air can cause contamination.
4. An air hose from the exhaust port of one unit to the inlet on a second unit running two units off the same air line. This second unit is a slave unit and will produce approximately half the force and speed of the first.



V-320



V-380

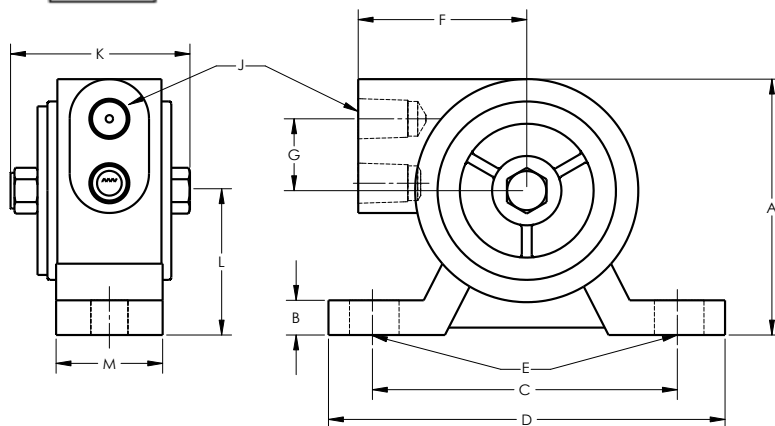
800.633.0032 • www.VIBCO.com

REV329-09

VIBCO PNEUMATIC BALL VIBRATORS

DIMENSIONS

| Model | A | | B* | | C | | D | | E** | | F | | G | | H | | J* | | K | | L | | M | |
|-------|---------|---------|---------|---------|---------------|---------|---------|---------|---------|---------|---------|---------|---------|---------|---------|---------|---------|---------|---------|---------|---------|---------|---------|--|
| | Inch/mm | Inch/mm | Inch/mm | Inch/mm | Inch/mm | Inch/mm | Inch/mm | Inch/mm | Inch/mm | Inch/mm | Inch/mm | Inch/mm | Inch/mm | Inch/mm | Inch/mm | Inch/mm | Inch/mm | Inch/mm | Inch/mm | Inch/mm | Inch/mm | Inch/mm | Inch/mm | |
| V-100 | 2 | 51 | 7/16 | 11 | 3 | 76 | 3-7/8 | 98 | 1/4 | 6 | 1-5/16 | 33 | 5/8 | 16 | 1-11/16 | 43 | 1/8-NPT | 1-11/16 | 43 | 1 | 25 | 3/4 | 19 | |
| V-130 | 2-5/16 | 59 | 7/16 | 11 | 4 | 102 | 4-7/8 | 124 | 3/8 | 10 | 1-1/2 | 38 | 3/4 | 19 | 1-15/16 | 49 | 1/8-NPT | 1-15/16 | 49 | 1-1/4 | 33 | 15/16 | 24 | |
| V-190 | 3-3/16 | 81 | 9/16 | 14 | 4 | 102 | 5-1/16 | 141 | 3/8 | 10 | 2 | 51 | 7/8 | 22 | 2-5/8 | 67 | 1/4-NPT | 2-3/16 | 58 | 1-3/4 | 44 | 1-5/16 | 33 | |
| V-250 | 3-1/2 | 89 | 9/16 | 14 | 4 | 102 | 5-9/16 | 141 | 1/2 | 12 | 2-1/4 | 57 | 1-1/8 | 29 | 2-15/16 | 87 | 1/4-NPT | 2-7/16 | 62 | 1-7/8 | 48 | 1-1/2 | 38 | |
| V-320 | 4-7/8 | 124 | 3/4 | 19 | 4 | 102 | 5-9/16 | 141 | 1/2 | 12 | 2-3/8 | 60 | 1-3/8 | 35 | 4-1/8 | 105 | 3/8-NPT | 2-3/4 | 70 | 2-3/4 | 70 | 1-1/2 | 38 | |
| V-380 | 4-7/8 | 124 | 7/8 | 22 | 5-1/2 x 1-1/4 | | 6-7/8 | 175 | 3/8 | 10 | 2-7/8 | 73 | 1-1/2 | 38 | 3-7/8 | 98 | 3/8-NPT | 2-15/16 | 75 | 1-1/2 | 64 | 2-3/8 | 60 | |
| | | | | | 140 x 32 | | | | | | | | | | | | | | | | | | | |



TECHNICAL DATA

| Model | Weight | | 20 PSI | | 40 PSI | | 60 PSI | | Force | | Max Lbs. ** |
|-------|--------|------|-----------|-----|-----------|-----|-----------|-----|-------|------|-------------|
| | lbs. | kg. | Speed VPM | CFM | Speed VPM | CFM | Speed VPM | CFM | lbs. | N | |
| V-100 | 8oz. | .227 | 20000 | 4 | 24000 | 6 | -- | -- | 55 | 245 | 75/20000 |
| V-130 | 11oz. | .312 | 15000 | 5 | 19000 | 7.5 | -- | -- | 80 | 356 | 72/15000 |
| V-190 | 26oz. | .737 | 12000 | 6 | 14000 | 10 | 16000 | 11 | 260 | 1157 | 73/16000 |
| V-250 | 2.6 | 1.2 | 9200 | 8 | 10500 | 11 | 11000 | 13 | 380 | 1691 | 72/11000 |
| V-320 | 4.6 | 2.1 | 7500 | 12 | 8900 | 14 | 10000 | 17 | 650 | 2892 | 78/10000 |
| V-380 | 6.2 | 2.8 | 5500 | 10 | 6200 | 15 | 6500 | 20 | 600 | 2669 | 78/6500 |

Data obtained on Laboratory test block. Frequency and force will decrease on less rigid mount.

*Decibel from A-Scale at 1m. N = Centrifugal force in Newtons

**Rule of Thumb for sizing * 1 Lb. Vibrator force to each 10Lbs. Bin content at 80 PSI.

Note: Dimensions and Data subject to change without notice

NOTE: O-rings in the end covers can be removed to allow for use in high temperature environments (up to 350° F).

SILENT
VIBCO TURBINE VIBRATOR:
TRY OUR SILENT TURBINE VIBRATORS TO REDUCE AIR CONSUMPTION & LOWER NOISE

- Save up to 50% of your air consumption
- Reduce vibration noise well below OSHA limits
- 3 times longer life than a ball vibrator
- Require NO lubrication - pre-lubricated for life
- **Completely size interchangeable** with ball vibrators



ASK FOR OUR SILENT PNEUMATIC TURBINE VIBRATOR BROCHURE

CONTACT VIBCO ABOUT A 10-DAY FREE TRIAL

Available for any VIBCO standard unit. With the help of our Application Engineers, we will get you the vibrator that will work best for you. Try it for 10-days at **NO RISK.**



We're The Vibrator Guys.™

VIBCO, INC.

75 Stilson Rd., P.O. Box 8
 Wyoming, RI 02898
 E-Mail: vibrators@VIBCO.com
 Phone: (401) 539-2392
 FAX: (401) 539-2584
<http://www.VIBCO.com>

CANADA:
 2215 Dunwin Drive
 Mississauga, Ont.L5L 1X1
 Phone: (905) 828-4191
 (800) 465-9709
 FAX: (905) 828-5015

SOUTHEAST
 12001 North Dr. Martin
 Luther King Dr.
 Unit 2703
 Saint Petersburg, FL 33716
 Phone: (401) 539-2392x145
 FAX: (401) 578-9509