



SILENT
We're The Vibrator Guys.™



As
seen at WOC
Las Vegas
2013

Stik-It™ for Concrete Forms

Cast in place external suction cup brackets

VIBCO STKIT906WALL & STKIT906AMWALL

Use on most concrete wall systems
Standard and Air-Miser™ models
Use with VIBCO SVRFS-4000AL



- **Never Weld or Bolt a Bracket Again**
- **Heavy Rebar is No Problem**
- **Use on Insulated Concrete Forms (ICF)**
- **Easy to Use – One Person Portability**
- **Use on Curved and Cylindrical Forms**

Never Weld a Vibrator Bracket Again!

VIBCO's revolutionary new Stik-It™ Concrete Vibrator Mounting System is portable, effective, and easy to use. The Stik-It™ attaches to concrete forms without the need to weld, drill, or do other labor-intensive, evasive work.

Use on Lightweight Forming Systems

The VIBCO Stik-It™ Vibrator Mounting System is the solution that Insulated Concrete Form (ICF) users have been dreaming about. The VIBCO Stik-It™ also works great on cardboard and polyethylene forms.



Heavy or Busy Rebar is No Problem

Have a VIBCO Stik-It™ on hand to use whenever you can't use an internal vibrator effectively. Busy rebar makes using a poker vibrator almost impossible. Use a VIBCO Vibrator and Stik-It™ on the outside of the form for great consolidation and finish.

VIBCO STKIT906 with US-450TAL High Frequency Electric Vibrator

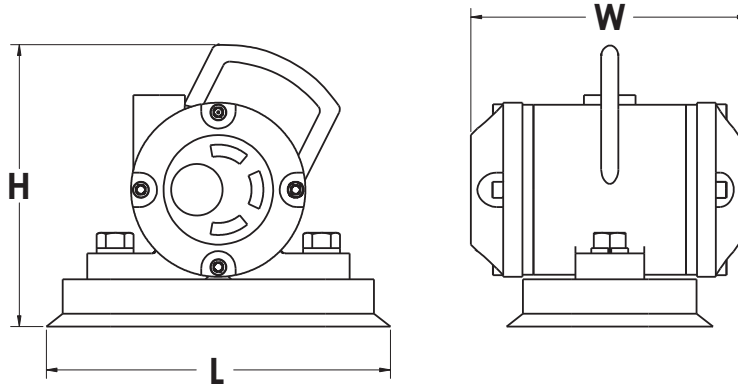
*Ideal for Concrete Countertop and Ornamental Concrete Producers
Easily moves from table to table*

800.633.0032 • www.VIBCO.com

VIBCO STIK-IT MOUNT VIBRATOR

DIMENSIONS

Model	L		W		H		Weight	
	Inch	mm	Inch	mm	Inch	mm		
STKIT906WALL / STKIT906AMWALL with SVRFS-4000AL	10	254	8 1/16	205	9	34.9	34 lbs	15.4 kg



TECHNICAL DATA

Model	Min. PSI	Min. Bar	Min. CFM	*STD Operating Temp		Weight	
STKIT906WALL STKIT906AMWALL	80	5.5	8	32°F to 125°F	0°C to 51°C	3.24 lbs	1.47 kg
Model	MAX PSI	CFM	VPM	Force lbs	Force Newtons	Weight	
SVRFS-4000AL	100	40	13500	4400	19500	22 lbs	9.9 kg

*Contact VIBCO for higher temp mounts

CONTACT VIBCO ABOUT A 10-DAY TRIAL
Available for any VIBCO standard unit. With the help of our Application Engineers, we will get you the vibrator that will work best for you. Try it for 10-days at **NO RISK.**

VIBCO SANITARY VIBRATORS:

HAVE A APPLICATION THAT REQUIRES WASH DOWN SAFE UNITS? TRY OUR MILLENNIUM LINE OF SILENT SANITARY VIBRATORS.

CALL US TODAY TO DISCUSS YOUR APPLICATION!



We're The Vibrator Guys.™

VIBCO, INC.

75 Stilson Rd.
Wyoming, RI 02898
E-Mail: vibrators@VIBCO.com
Phone: (401) 539-2392
FAX: (401) 539-2584
<http://www.VIBCO.com>

CANADA:

2215 Dunwin Drive
Mississauga, Ont.L5L 1X1
Phone: (905) 828-4191
(800) 465-9709
FAX: (905) 828-5015